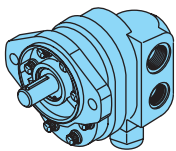




## Systems Supplier

# Lift Trucks

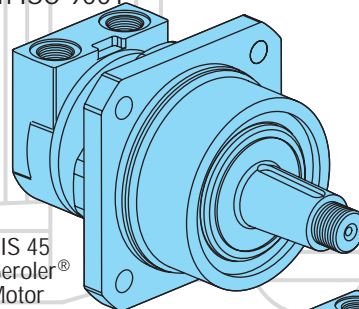
- Experienced system design engineers** - System-based solutions to all your hydraulic needs.
- Global manufacturing capability** - Manufacturing plants and joint ventures in the U.S., Europe, Japan and China.
- Global sales support** - Sales offices in U.S., Scotland, Germany, Singapore, China and Korea.
- World's largest distributor network** - Over 100 distributors in 50 different countries.
- Reliable, robust products** - Field-proven leader in the hydraulics industry.
- Exceptional product quality** - All products manufactured in ISO 9001-certified sites.



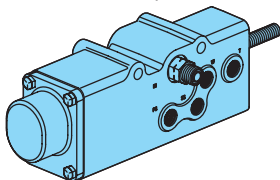
Series 26 Load Sensing Gear Pump



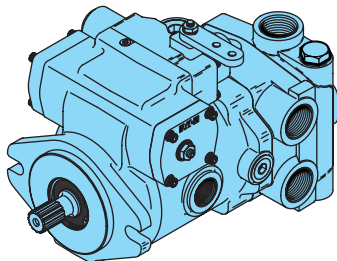
Flex 4 Steering Control Unit



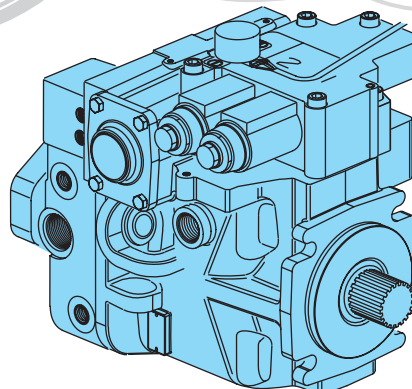
VIS 45 Geroler® Motor



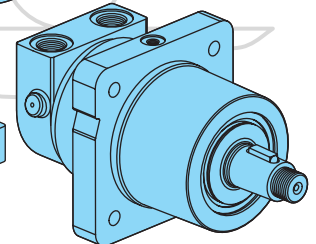
Brake Valve



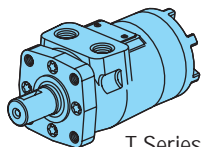
MD Servo Piston Pump 72400



HD Series 2 Piston Pump

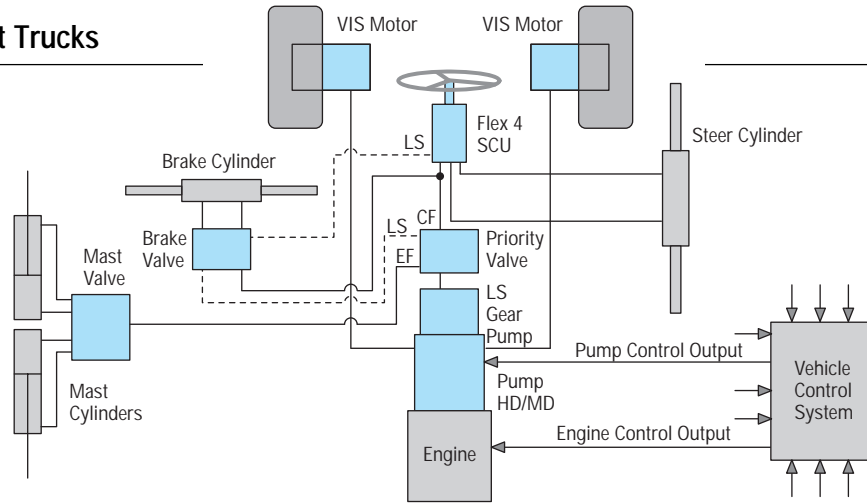


VIS 30 Geroler® Motor



T Series Geroler® Motor

**IC Trucks**  
Hydrostatic Propel



## Propel Circuit

Hydrostatic Propel Pump — Series 2 HD pump or 72400 Series MD pump

- Compact cradle design
- Noise reduced housings and valve plates
- Full range of auxiliary mounting pad options for work circuit pumps
- Wide range of charge pump displacements to meet the needs of a variety of circuits
- Pressure ratings (HD = 430 bar [6250 PSI] MD = 350 bar [5050 PSI])
- ADC – Automotive Drive Control with Inching and Anti-Stall options

**NEW**

Hydrostatic Propel Motor (Axial Piston and/or Orbit motors)

**Orbit Motors - VIS - Valve in Star**

- Very compact package
- Improved efficiency
- Quiet and smooth operation
- Available with bearing and brake package

**Axial Piston Motors**

- High speed capabilities
- High efficiency
- Thru shaft capability
- Available as fixed and variable motors
- Integral shuttle valves (for loop flushing)

**NEW**

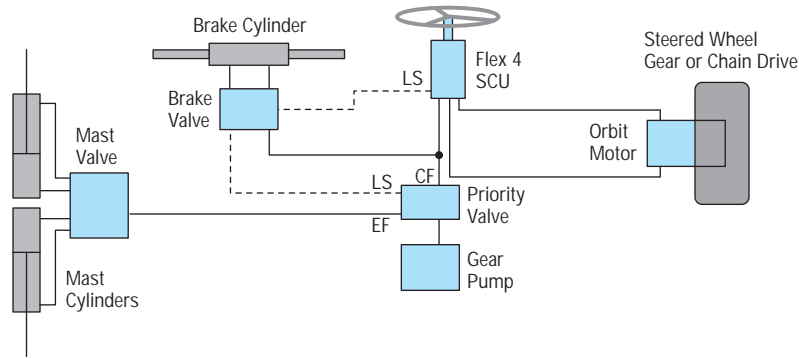
## Vehicle Control System

Eaton is now offering a programmable Digital Controller with application dedicated software controlling the following functions:

- Travel speed input
- Automotive drive control with adjustable acceleration and deceleration rates
- Turn angle input
- Swashplate angle feedback
- Engine rpm
- Signal to speed up the engine for mast lift control
- Tip-over control along with vehicle speed and turn angle

**NEW**

## Electric Trucks Three Wheel Drive



## Steering Circuit

**Flex 4 Steering Control Unit** — highly flexible design with a variety of valve options and port, mounting, and column configurations

Port Configuration		Mounting Configuration		Column Interface	
End-Ports	Side-Ports	Top-Mount	Rear-Mount	Integral (Short)	External (Any Length)*

\*Tilt Column Available

**Motion Sensor** — Quadrature Motion Detection Circuit (see Electric Trucks – Four Wheel (page 4))

**NEW**

- Determines steering wheel position, rpm and direction
- Determines steering wheel motion for on-demand control of pump
- Signal is used either to reduce pump speed or to shut off pump motor to save energy

**Priority Valves** — In-line and bolt on valves are offered

**Load Sense Gear Pump** — Series 26

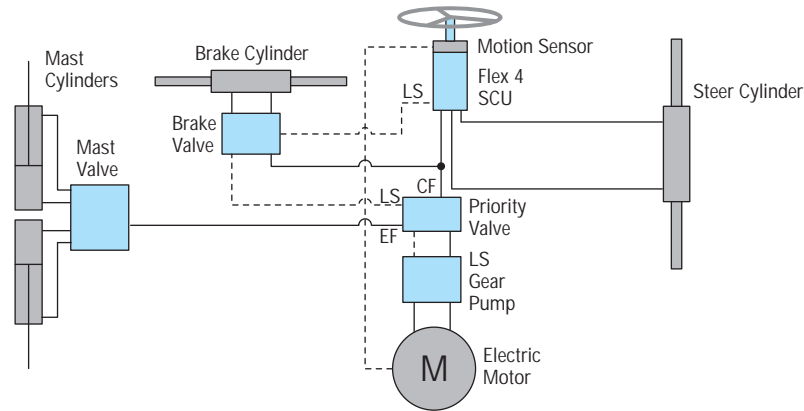
**NEW**

- 13 different displacements
- Quiet operation
- Improved efficiency

**Orbit Motor** — T Series

- Low speed/low leakage valving

## Electric Trucks Four Wheel



## Work Circuit

Load Sensing Brake Valve — make power brakes an economical and efficient feature on lift trucks

**NEW**

- No dedicated pressure source needed
- Compact package
- Two stage master cylinder with built in reservoir provides dead engine braking
- Lower input efforts and reduced pedal travel for braking

Information contained in this catalog is accurate as of the publication date and is subject to change without notice. Performance values are typical values. Customers are responsible for selecting products for their applications using normal engineering methods.

page 4

Eaton Corporation  
Hydraulics Division  
15151 Hwy. 5  
Eden Prairie, MN 55344  
Telephone: 612/937-7254  
Fax: 612/937-7130

Eaton Ltd.  
Hydraulics Division  
Glenrothes, Fife  
Scotland, KY7 4NW  
Telephone: [+44] (0)1592-771-771  
Fax: [+44] (0)1592-773-184

Eaton B.V.  
Boeing Avenue 11  
1119 PC Schiphol-Rijk  
The Netherlands  
Telephone: [+31] (0)20-655 6700  
Fax: [+31] (0)20-655 6800

Sumitomo Eaton Hydraulic Co.  
5 Temasek Blvd.  
42-01 Suntec Tower Three  
Singapore 03988  
Telephone: [+65] 832-7727  
Fax: [+65] 832-7733

Sumitomo Eaton  
Hydraulic Company Ltd.  
Ooi-Cho Kameoka-Shi  
621-0017 Kyoto  
Japan  
Telephone: [+81] 771-22-9601  
Fax: [+81] 771-29-2020

Eaton Ltd.  
7th Floor, Woo Duk Building  
832-2 Yeoksam-Dong, Kangnam-Ku  
Soeul 135-750  
Korea  
Telephone: [+82] 2-557-0595  
Fax: [+82] 2-557-1634

Eaton Hydraulics (Shanghai) Co. Ltd.  
388 Aidu Road, Waigaogiao FTZ  
Pudong New Area  
Shanghai 200137  
Peoples Republic of China  
Telephone: [+86] 21-5046 0758  
Fax: [+86] 21-5046 0767

Jining Eaton Hydraulic Co. Ltd.  
6 Ji Da Road  
Jining City  
Shandong Province 272131  
Peoples Republic of China  
Telephone: [+86] 537-2221288  
Fax: [+86] 537-2221557



Quality System Certified  
Products in this catalog are manufactured  
in an ISO-9001-certified site.