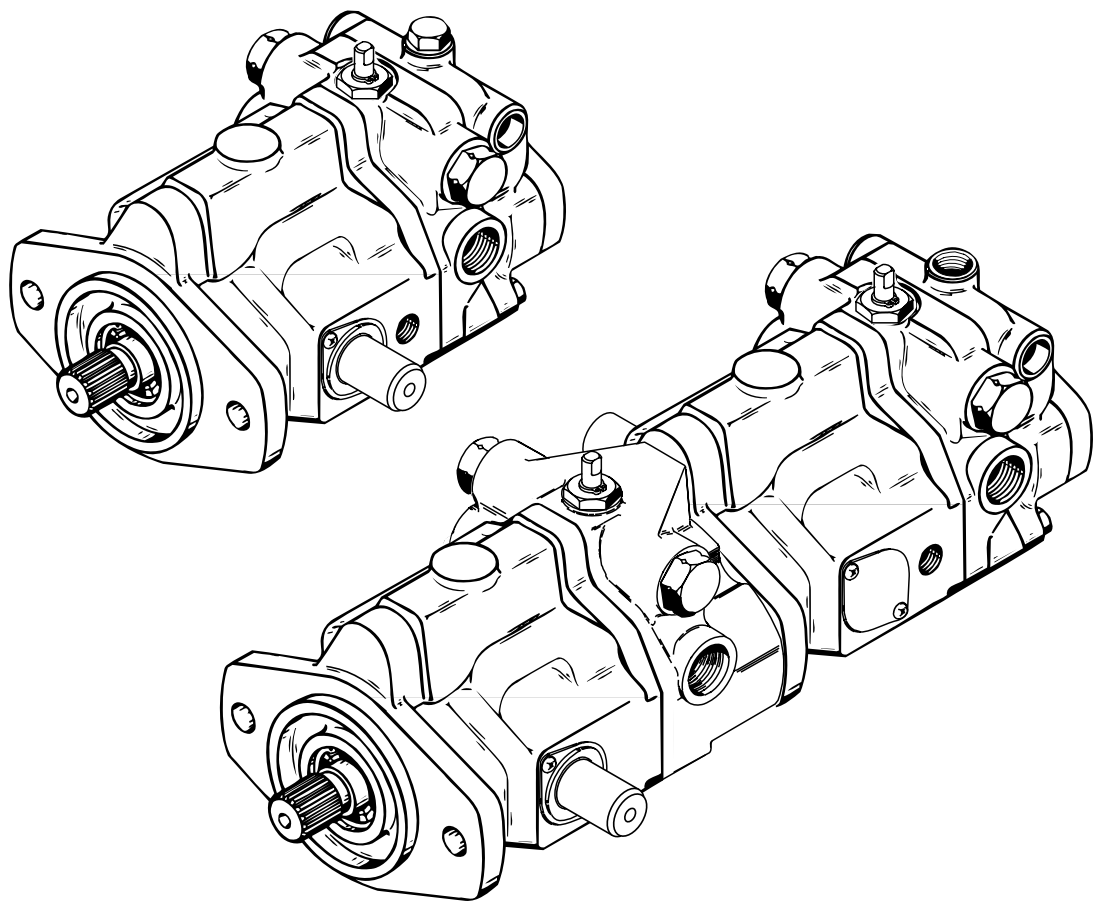


Eaton®
Medium Duty Piston Pump

No. 6-626
Revised February, 1993



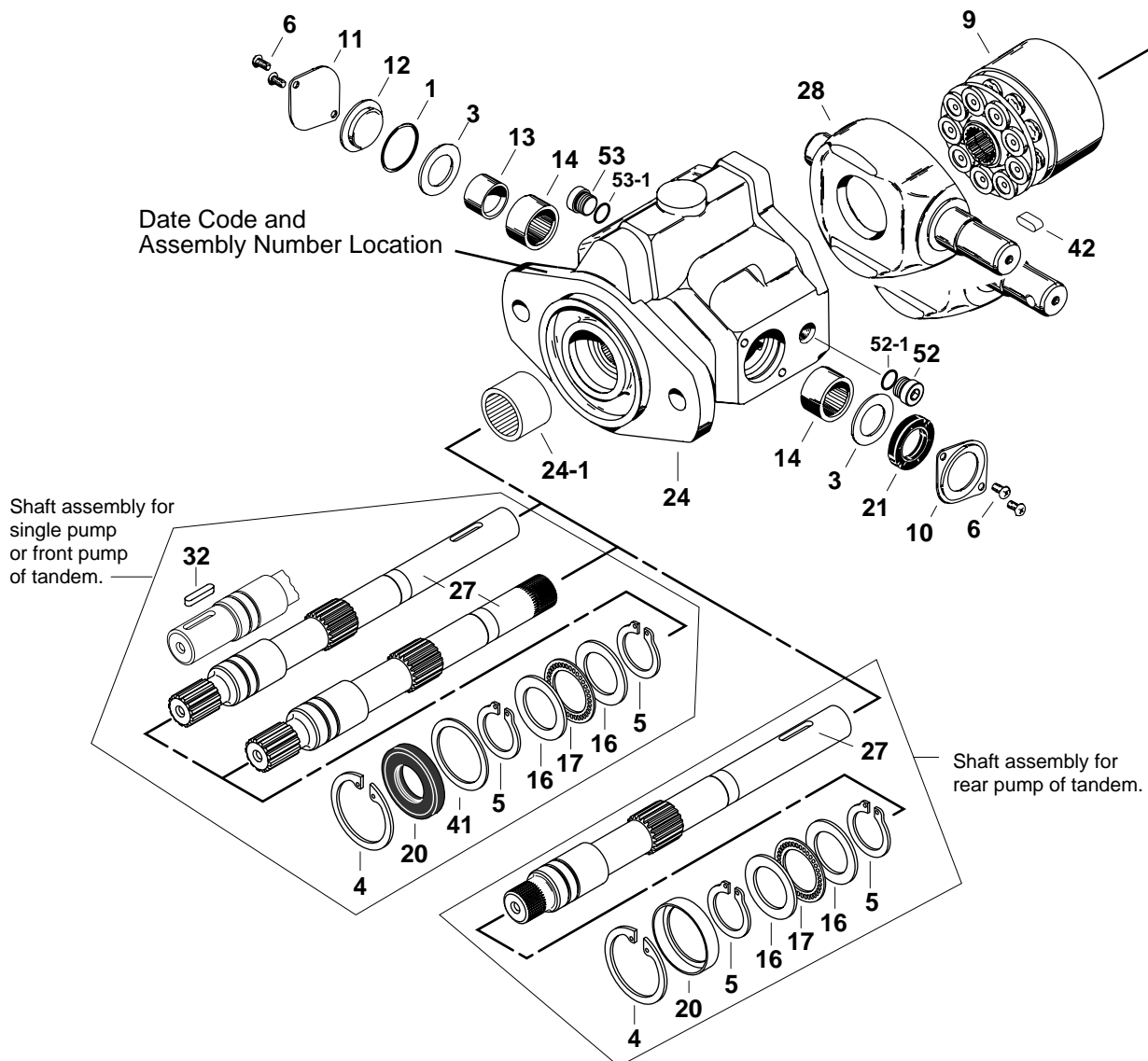
Parts Information



**Model 70342 and 70344, 40.6 cm³/r [2.48 in³/r] Displacement
Manually Variable Displacement Piston Pump**

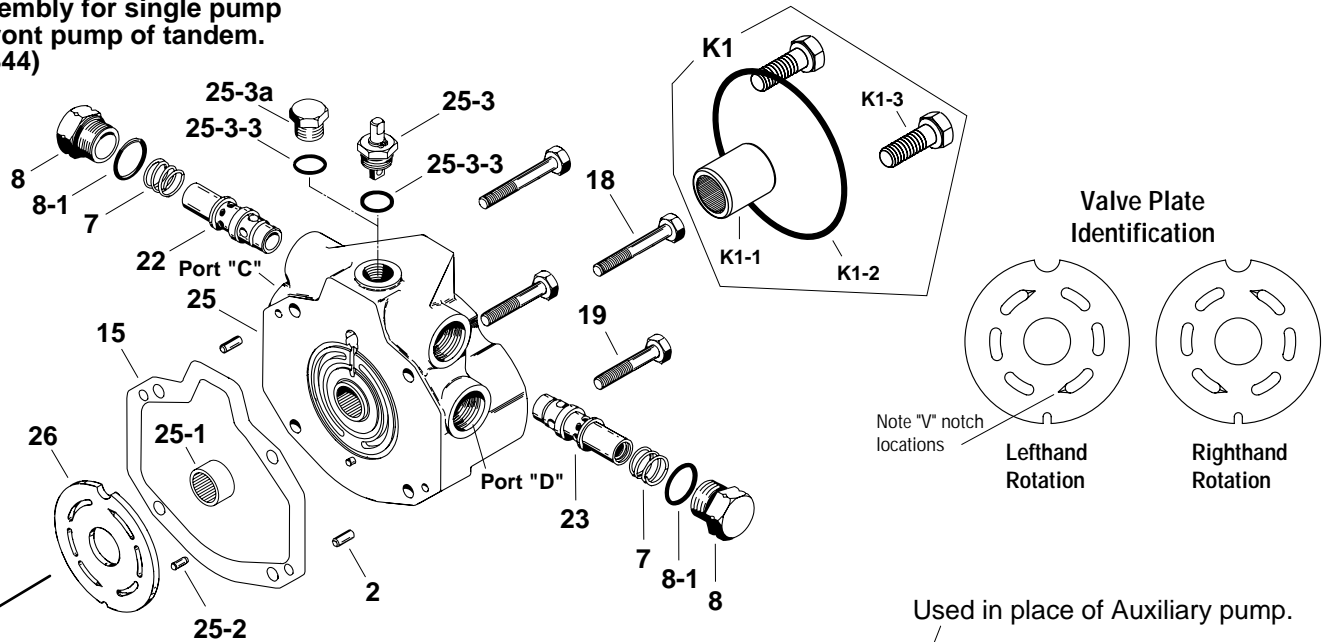
Parts Drawing

Pump drawn below is typical of a righthand rotation pump.

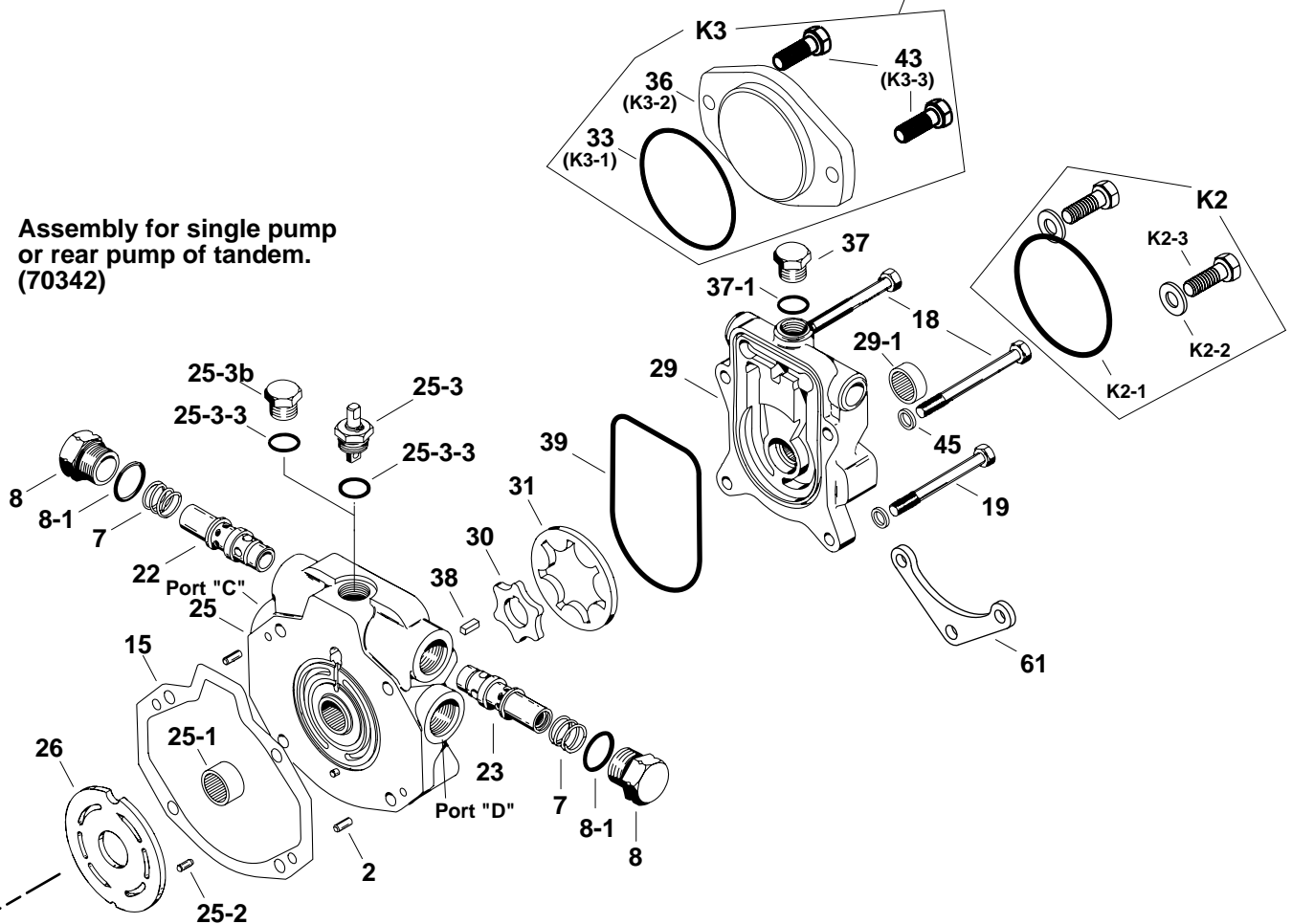


Parts Drawing

Assembly for single pump or front pump of tandem. (70344)



Assembly for single pump or rear pump of tandem. (70342)



Parts List

Item	Part No.	Qty.	Description
+ 1	16003-25	1	O-ring, 2.38 mm Dia. x 36.5 mm I.D. [.0937 in. Dia. x 1.4375 in. I.D.]
	2	2	Dowel Pin
	3	2	Washer
+ 4	16077-32	1	Retaining Ring
+ 5	16078-18	2	Retaining Ring
	6	4	Screw
	7	2	Spring
	8	2	Plug Assembly
+ 8-1	16015-18-90	2	O-ring, 2.38 mm Dia. x 22.23 mm I.D. [.0937 in. Dia. x .875 in. I.D.]
	9	1	Rotating Kit Assembly (parts list on page #6)
	10	1	Seal Cover
	11	1	Trunnion Cover
	12	1	O-ring Cover
	13	1	Inner Race
	14	2	Needle Bearing
+ 15	70412-626	1	Housing Gasket
	16	2	Thrust Race
	17	1	Needle Thrust Bearing
	18	2	Cap Screws (Locations on page #6)
	16032-622		3/8-16, 57.2 mm [2.25 in.] Long
	16040-640		3/8-16, 101.6 mm [4.0 in.] Long
	19	2	Cap Screws (Locations on page #6)
	16032-616		3/8-16, 38.1 mm [1.5 in.] Long
	16032-620		3/8-16, 50.8 mm [2.0 in.] Long
	16032-634		3/8-16, 88.9 mm [3.5 in.] Long
+ 20	16253-18	1	Shaft Seal, Drive
	20	1	Viton Shaft Seal, Drive
	20	1	Spacer (Used in rear pump of tandem in place of drive shaft seal.)
+ 21	16253-16	1	Shaft Seal, Trunnion
	21	1	Viton Shaft Seal, Trunnion
	22	1	Relief Valve for Port "C" (Identification drawing on page #7)
	23	1	Relief Valve for Port "D" (Identification drawing on page #7)
	24	1	Housing Assembly (Identification drawing on page #7)
24-1	16238-11816	1	Bearing (press fit)
25	◆	1	Backplate Assembly (Identification drawing and parts list on page #8 & #9)
26	◆	1	Valve Plate (Identification drawing on page #3)
	70344-51		Righthand (CW) Rotation
	70344-52		Lefthand (CCW) Rotation
27	◆	1	Drive Shaft (Identification drawing on page #12)
28	◆	1	Camplate
	70400-618		Key groove in trunnion
	70400-695		Cross hole in trunnion
29	◆	1	Charge Pump Adaptor (Identification drawing and parts list on page #10 & #11)
30	◆	1	Inner Gerotor
	79004-611		6.9 cm ³ /r [.42 in ³ /r] displacement, 6.35 mm [.25 in.] width
	79004-605		13.8 cm ³ /r [.84 in ³ /r] displacement, 12.7 mm [.5 in.] width
31	◆	1	Outer Gerotor
	79004-612		6.9 cm ³ /r [.42 in ³ /r] displacement, 6.35 mm [.25 in.] width
	79004-606		13.8 cm ³ /r [.84 in ³ /r] displacement, 12.7 mm [.5 in.] width
32	◆	1	Key, Drive Shaft
	16246-516		Used with 25.4 mm [1.00 in] dia. drive shaft.
	24500-619		Used with 22.2 mm [.875 in] dia. drive shaft.
33	16007-14	1	O-ring (In K2 & K3 kit)
35	70411-605	1	Mounting Bracket
36	70142-600	1	Cover Plate (In K3 kit)

Parts List

37	16103-108	1	Plug Assembly
+ 37-1	16133-8	1	O-ring, 2.21 mm Dia. x 16.36 mm ID. [.087 in. Dia. x .644 in. ID.]
38	15222-20	1	Key, Gerotor Pump Adapter
+n 39	70342-600	1	Molded O-ring
40	16048-113	2	Washer
41	16048-319	1	Washer
42	16246-523	1	Key, Camplate Trunnion
43	16032-610	2	Cap Screws, Cover Plate (In K3 kit)
52	16103-306	1	Plug Assembly
52-1	16133-6	1	O-ring, 1.98 mm Dia. x 11.89 mm ID. [.078 in. Dia. x .468 in. ID.]
53	16103-306	1	Plug Assembly
53-1	16133-6	1	O-ring, 1.98 mm Dia. x 11.89 mm ID. [.078 in. Dia. x .468 in. ID.]

Mounting Kits

K1	70342-905	1	Tandem Piston Pump Mounting Kit
K1-1	70411-622	1	41T Coupler, 33.02 mm [1.3 in.] long
K1-2	16007-17	1	O-ring, 1.59 mm Dia. x 101.6 mm ID. [.0625 in. Dia. x 4 in. ID.]
K1-3	16032-812	2	Cap Screws
K2	70442-929	1	Gear Pump Mounting Kit
K2-1	16007-14	1	O-ring, 1.59 mm Dia. x 82.55 mm ID. [.0625 in. Dia. x 3.25 in. ID.]
K2-2	16048-113	1	Washer
K2-3	16032-612	2	Cap Screws
K3	70142-915	1	Cover Plate Kit
K3-1	16007-14	1	O-ring, 1.59 mm Dia. x 82.55 mm ID. [.0625 in. Dia. x 3.25 in. ID.]
K3-2	70142-600	1	Cover Plate
K3-3	16032-610	2	Cap Screws

Seal Repair Kits

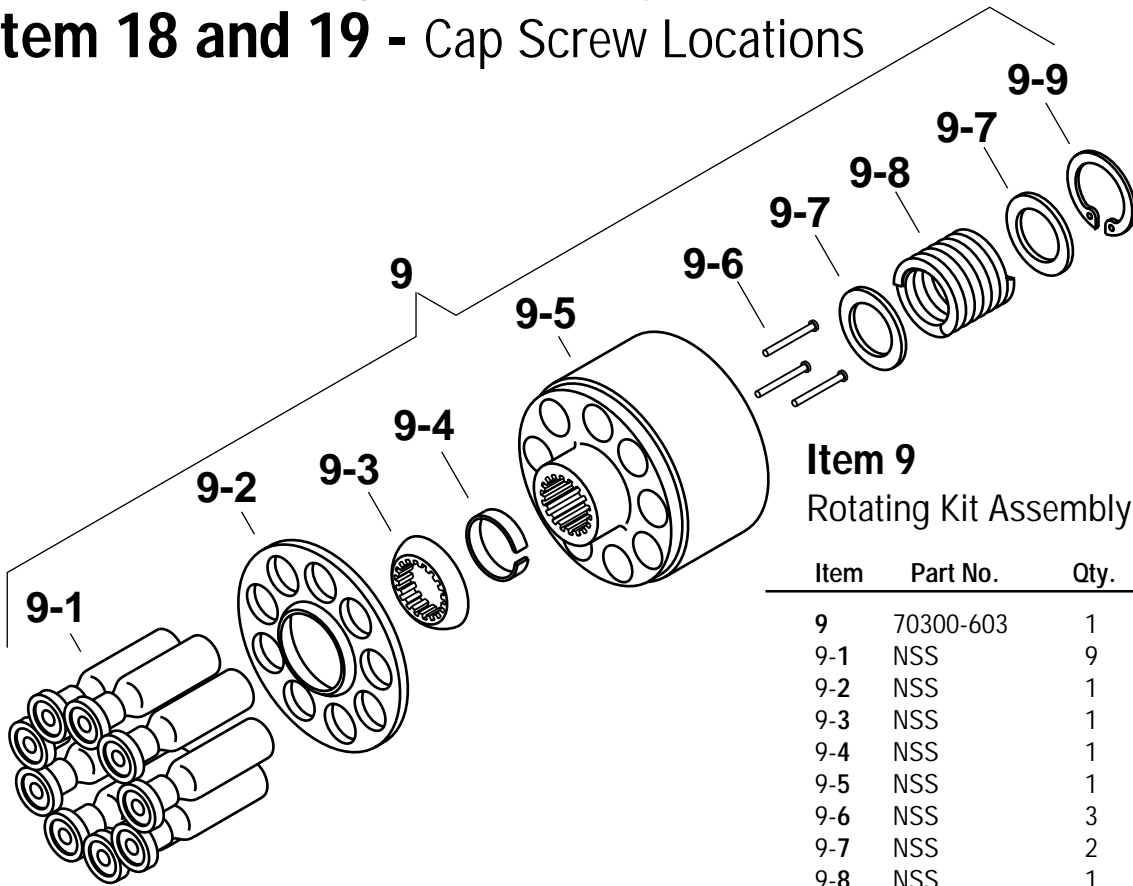
•	70342-900	1	Seal Repair Kit for 70342 piston pump.
•	70342-901	1	Seal Repair Kit for 70342 piston pump (Shaft seal not included).
•	70342-902	1	Seal Repair Kit for 70342 piston pump (Includes dump valve seals).
•	70344-900	1	Seal Repair Kit for 70344 piston pump (Shaft seal not included).
•	70344-902	1	Seal Repair Kit for 70344 piston pump.

Legend

- ◆ Refer to specific item parts list.
- + Common parts to seal repair kits listed.
- +o Parts included in the 70342-902 and 70344-902 along with common parts.
- +n Parts included in the 70342-900, 70342-901, and 70342-902 along with common parts.

Item 9 - Rotating Kit Assembly

Item 18 and 19 - Cap Screw Locations



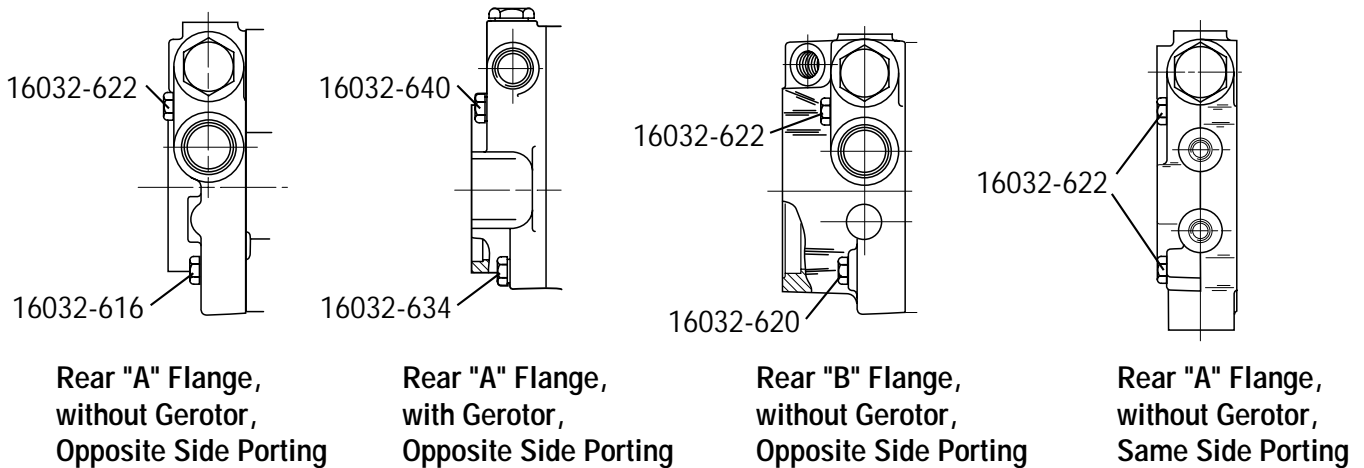
Item 9
Rotating Kit Assembly

Item	Part No.	Qty.	Description
9	70300-603	1	Rotating Kit Assy.
9-1	NSS	9	Piston Assembly
9-2	NSS	1	Spider
9-3	NSS	1	Spider Pivot
9-4	NSS	1	Retainer
9-5	NSS	1	Piston Block
9-6	NSS	3	Pins
9-7	NSS	2	Washer
9-8	NSS	1	Spring
9-9	NSS	1	Retaining Ring

NSS - Not Sold Separately

Item 18 and 19

Cap Screw Locations



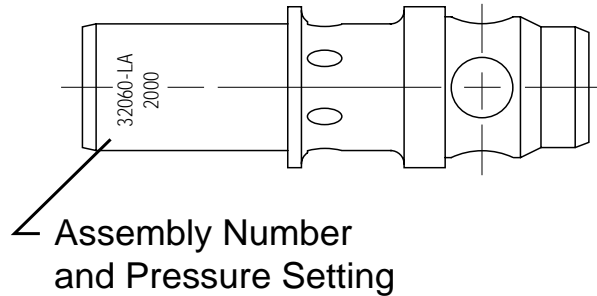
Item 22 or 23 - Relief Valve

Item 24 - Housing Identification

Item 22 or 23

Internal Relief Valve Settings Available

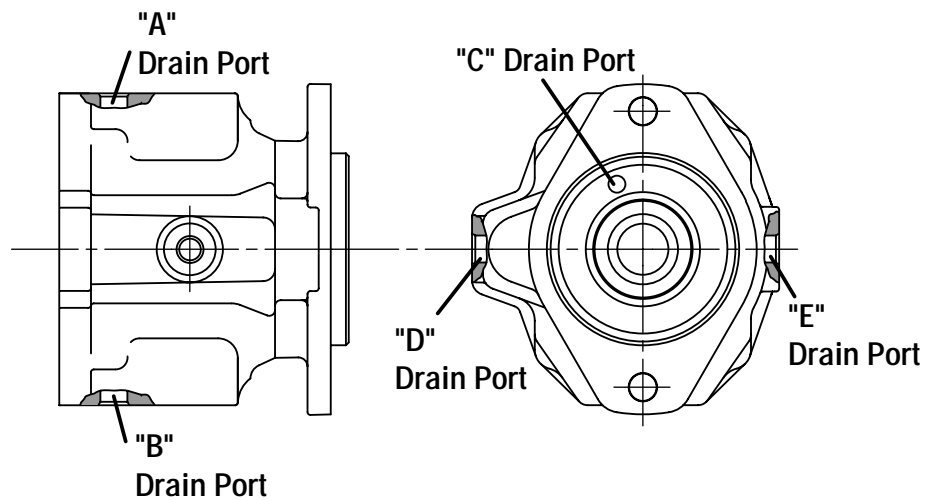
Part Number	bar [lbf/in ²]
32060-LA	138 [2000]
32060-QA	172 [2500]
32060-UA	207 [3000]
32060-WA	241 [3500]
32060-ZA	276 [4000]
32060-XA	310 [4500]
32060-IA	345 [5000]
70111-518	Seat, Valve



Item 24

Housing Identification

Item	Part No.	Port Machined
24	70300-315	A, C
	70300-316	None
	70300-318	E
	70300-320	C
	70300-322	A
	70300-324	B, C
	70300-326	D
	70300-328	B
	70300-377	C, D
	70300-381	A, B
	70300-383	A, B, C



Drain Port Sizes:

Drain Port A, B, D, and E are 9/16-18 SAE Str. Thd.
 Thru Drain Port C is 9.55[.376] dia.

Item 25 - Backplate Assembly Identification

Item 25 - Parts List (Refer to Identification chart and drawings)

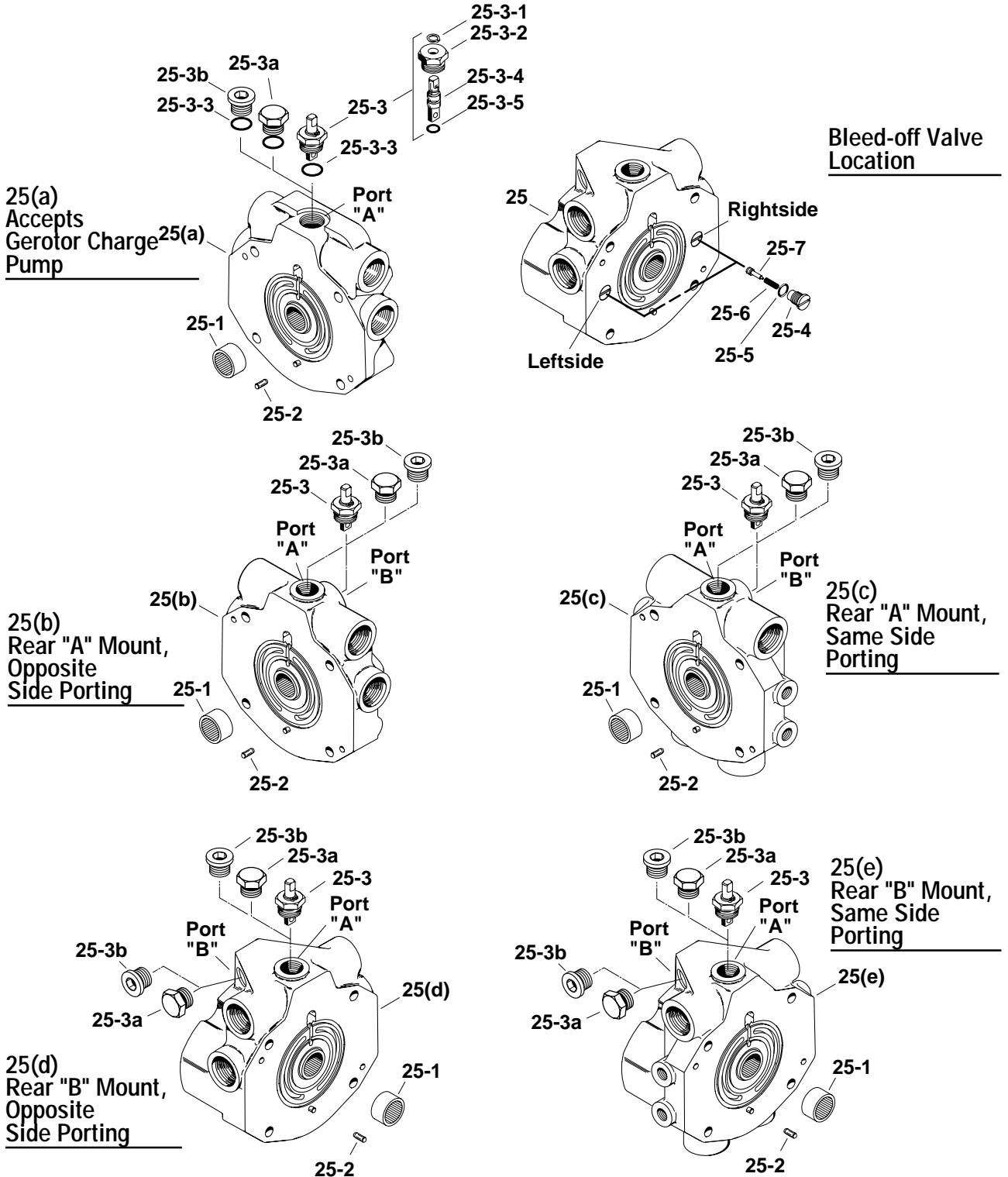
Item	Part No.	Qty.	Description
25	See Chart Below		Backplate Assembly
25-1	52200-23	1	Bearing
25-2	16026-610	1	Dowel Pin
25-3	70300-610	1	Dump Valve Assembly
+o 25-3-1	16078-6	1	Retaining Ring
25-3-2	70300-609	1	Separator Plug
+ 25-3-3	16133-8	1	O-ring, 2.38 mm Dia. x 16.27 mm I.D. [.0937 in. Dia. x .6406 in. I.D.]
25-3-4	70411-502	1	Spreader
+o 25-3-5	16003-7	1	O-ring, 1.59 mm Dia. x 9.53 mm I.D. [.0625 in. Dia. x .375 in. I.D.]
25-3a	16103-108	1	Plug Assembly, Hex
+ 25-3-3	16133-8	1	O-ring, 2.38 mm Dia. x 16.27 mm I.D. [.0937 in. Dia. x .6406 in. I.D.]
25-3b	16103-308	1	Plug Assembly, Internal Hex Socket
+ 25-3-3	16133-8	1	O-ring, 2.38 mm Dia. x 16.27 mm I.D. [.0937 in. Dia. x .6406 in. I.D.]
25-4	70400-501	1or2	Cartridge, Bleed-off
25-5	16133-5	1or2	O-ring, 1.83 mm Dia. x 10.5 mm I.D. [.072 in. Dia. .414 in. I.D.]
25-6	17023-12	1or2	Spring
25-7	70400-508	1or2	Poppet, Bleed-off Valve

Legend + Common parts to seal repair kits listed.
+o Parts included in the 70342-902 and 70344-902 along with common parts.

Item 25 Backplate Assembly Identification (Refer to drawings on page #9)

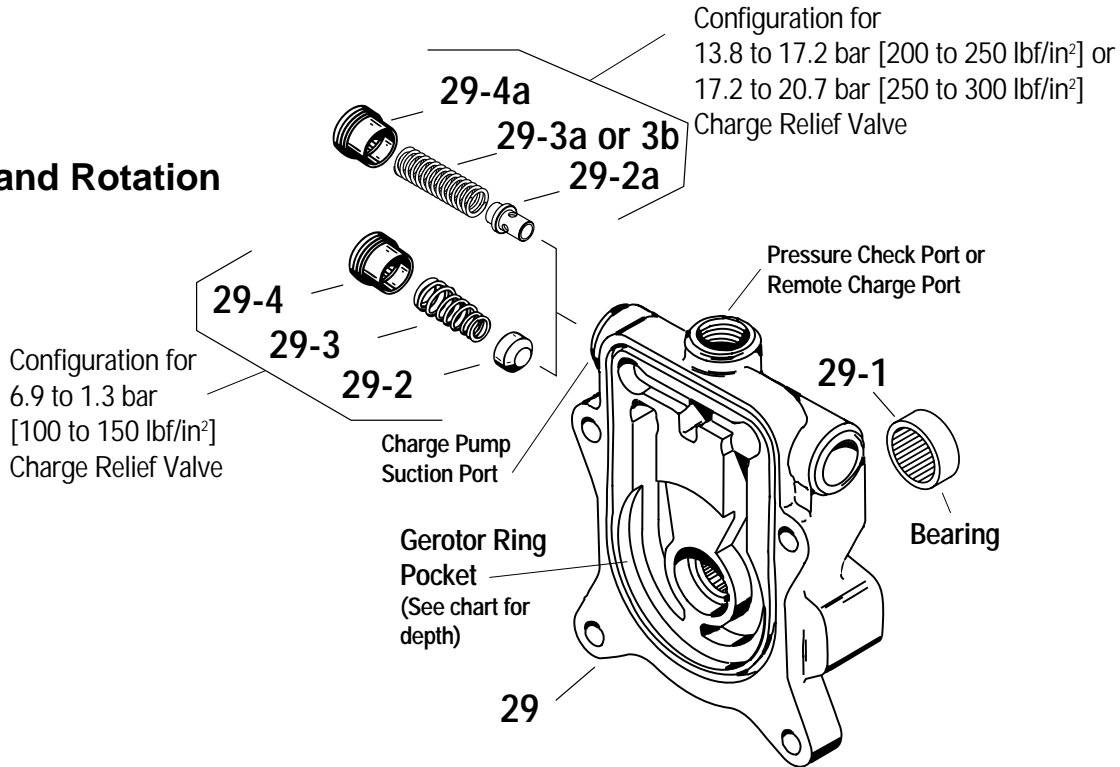
Description	Assembly Part Number	Aux. Port Machined	"A" Aux. Port Plug	"B" Aux. Port Plug	"A" Aux. Port Dump Valve	"B" Aux. Port Dump Valve	Bleed-off Valve Left	Bleed-off Valve Right
25(a) - Accepts Gerotor Charge Pump	70300-413 70300-426	A A	Item 25-3a		Item 25-3			
25(b) - Rear "A" Mount, Opposite Side Porting	70300-409 70300-415	A A, B				Item 25-3		
25(c) - Rear "A" Mount, Same Side Porting	70300-403 70300-421 70300-437	A, B A, B A, B	Item 25-3a Item 25-3b	Item 25-3b				
25(d) - Rear "B" Mount, Opposite Side Porting	70300-407 70300-411 70300-439 70390-410	A A, B A, B A	Item 25-3a		Item 25-3		Yes	Yes
25(e) - Rear "B" Mount, Same Side Porting	70300-401 70300-418 70390-403	A, B A, B A, B	Item 25-3a Item 25-3b	Item 25-3a			Yes	

Item 25 - Backplate Assembly Identification



Item 29 - Charge Pump Adapter Assembly Identification

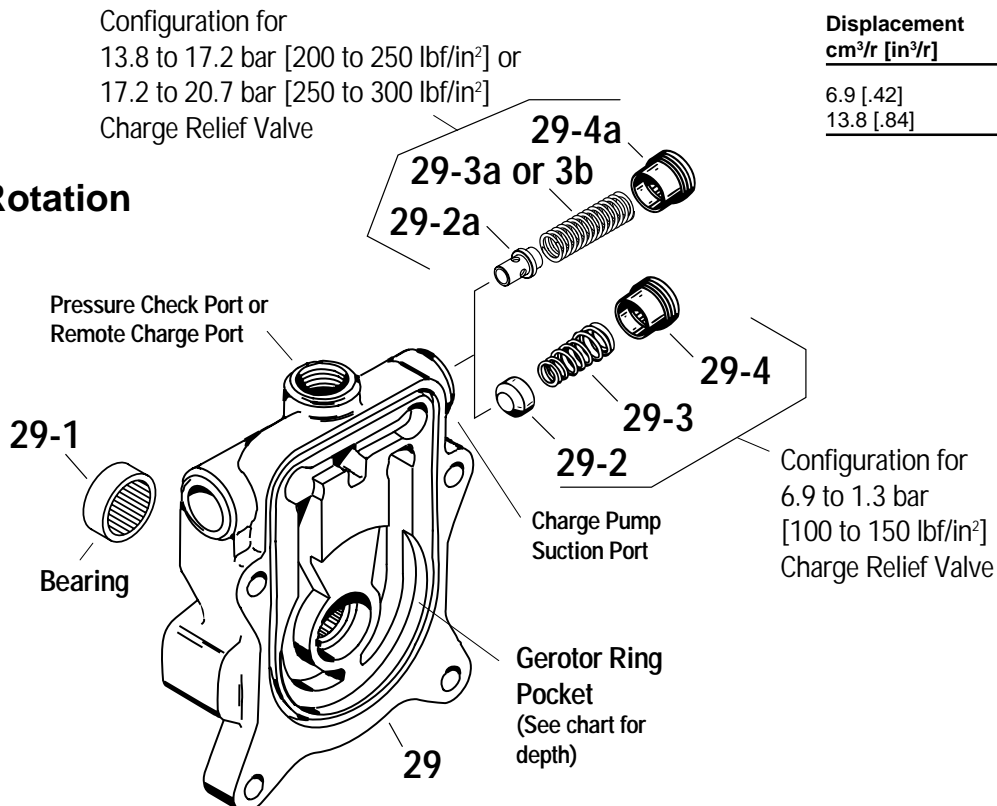
Righthand Rotation



Gerotor Pocket Depth

Displacement cm ³ /r [in ³ /r]	Depth of Pocket mm [in.]
6.9 [.42]	6.35 [.25]
13.8 [.84]	12.7 [.50]

Lefthand Rotation



Item 29 - Charge Pump Adapter Assembly

No Charge Relief

Item	Part No.	Qty.	Description	Rotation	Displacement
29	70440-369	1	Assembly, Charge Pump Adapter	Righthand	13.8 cm ³ /r [.84 in ³ /r]
29-1	16239-1148	1	Bearing (press fit)		

6.9 to 1.3 bar [100 to 150 lbf/in²] Charge Relief Setting

Item	Part No.	Qty.	Description	Rotation	Displacement
29	70442-356	1	Assembly, Charge Pump Adapter	Righthand	6.88 cm ³ /r [.42 in ³ /r]
	70442-368	1	Assembly, Charge Pump Adapter	Lefthand	13.8 cm ³ /r [.84 in ³ /r]
	70442-374	1	Assembly, Charge Pump Adapter	Righthand	13.8 cm ³ /r [.84 in ³ /r]
	70442-389	1	Assembly, Charge Pump Adapter	Lefthand	6.88 cm ³ /r [.42 in ³ /r]
29-1	16239-1148	1	Bearing (press fit)		
29-2	70111-507	1	Poppet, Cup		
29-3	17000-48B	1	Spring, Tapered		
29-4	70400-505	1	Spring Retainer		

13.8 to 17.2 bar [200 to 250 lbf/in²] Charge Relief Setting

Item	Part No.	Qty.	Description	Rotation	Displacement
29	70440-363	1	Assembly, Charge Pump Adapter	Lefthand	6.88 cm ³ /r [.42 in ³ /r]
	70440-371	1	Assembly, Charge Pump Adapter	Righthand	6.88 cm ³ /r [.42 in ³ /r]
	70440-373	1	Assembly, Charge Pump Adapter	Righthand	13.8 cm ³ /r [.84 in ³ /r]
29-1	16239-1148	1	Bearing (press fit)		
29-2a	70400-685	1	Poppet, Pin		
29-3a	17056-40	1	Spring, Color "Light Green"		
29-4a	70400-512	1	Spring Retainer		

17.2 to 20.7 bar [250 to 300 lbf/in²] Charge Relief Setting

Item	Part No.	Qty.	Description	Rotation	Displacement
29	70440-335	1	Assembly, Charge Pump Adapter	Righthand	6.88 cm ³ /r [.42 in ³ /r]
	70440-374	1	Assembly, Charge Pump Adapter	Righthand	13.8 cm ³ /r [.84 in ³ /r]
29-1	16239-1148	1	Bearing (press fit)		
29-2a	70400-685	1	Poppet, Pin		
29-3b	17056-41	1	Spring, Color "Pink"		
29-4a	70400-512	1	Spring Retainer		

Item 27 - Drive Shaft Identification

Part Number	Input Drive	Where Used	Output Drive
		Single Pump	9 Tooth Internal
70442-202 [15 Tooth] or 70442-209 [13 Tooth]		Single Pump	9 Tooth Internal
70442-248 [15 Tooth] or 70442-297 [13 Tooth]		Single Pump	9 Tooth Internal
70442-275 [1 in. Keyed] or 70440-200 [7/8 in. Keyed]		Single Pump	9 Tooth Internal
70440-206 [Tapered]		Tandem Front Pump	41 Tooth
70442-228 [15 Tooth]		Tandem Front Pump	41 Tooth
70442-232 [Tapered]		Tandem Middle Pump	41 Tooth
70440-203 [41 Tooth]		Tandem Rear Pump	9 Tooth Internal
70440-229 [41 Tooth]		Tandem Rear Pump	9 Tooth Internal
70440-299 [41 Tooth]		Tandem Rear Pump	9 Tooth Internal

Product Number - Parts List for Single Pumps

This list of product numbers is to aid in item identification. If your product number is not listed contact your Eaton representative.

Description	Cap Screw #18	Cap Screw #19	Shaft Seal #20	Relief Valve "C" #22	Relief Valve "D" #23	Housing Assembly #24	Backplate Assembly #25	Drive Shaft #27	Camplate #28	Adapter Assembly #29	Inner Gerotor #30	Outer Gerotor #31	Seal Repair Kit
Single Pump with Lefthand Rotation (CCW)													
Product Number													
70342-LAA	16032-640	16032-634	16253-18	32060-IA	32060-IA	70300-322	70300-413	70442-275	70400-695	70442-389	79004-611	79004-612	70342-900
70342-LAB	16032-640	16032-634	16253-18	32060-IA	32060-IA	70300-322	70300-413	70442-202	70400-695	70442-389	79004-611	79004-612	70342-900
70342-LAF	16032-640	16032-634	16253-18	32060-IA	32060-IA	70300-322	70300-413	70442-209	70400-695	70442-389	79004-611	79004-612	70342-900
70342-LAJ	16032-640	16032-634	16253-18	32060-IA	32060-IA	70300-322	70300-413	70442-209	70400-618	70442-389	79004-611	79004-612	70342-900
70342-LAK	16032-640	16032-634	16253-18	32060-IA	32060-IA	70300-322	70300-413	70440-200	70400-618	70442-389	79004-611	79004-612	70342-900
70342-LAL	16032-640	16032-634	16253-18	32060-IA	32060-IA	70300-328	70300-413	70442-202	70400-618	70442-389	79004-611	79004-612	70342-900
70342-LAM	16032-640	16032-634	16253-18	32060-IA	32060-IA	70300-328	70300-413	70442-275	70400-618	70442-389	79004-611	79004-612	70342-900
70342-LAN	16032-640	16032-634	16253-18	32060-IA	32060-IA	70300-328	70300-413	70442-209	70400-618	70442-389	79004-611	79004-612	70342-900
70342-LAW	16032-640	16032-634	16253-18	70111-518	70111-518	70300-322	70300-413	70442-209	70400-618	70442-389	79004-611	79004-612	70342-900
70342-LBJ	16032-640	16032-634	16253-18	32060-IA	32060-IA	70300-322	70300-413	70442-209	70400-695	70442-389	79004-611	79004-612	70342-900
70342-LBL	16032-640	16032-634	16253-18	32060-IA	32060-IA	70300-328	70300-413	70442-209	70400-695	70442-389	79004-611	79004-612	70342-900
70342-LBQ	16032-640	16032-634	16253-18	32060-LA	32060-LA	70300-322	70300-413	70442-209	70400-618	70442-389	79004-611	79004-612	70342-900
70342-LBR	16032-640	16032-634	16253-18	32060-WA	32060-WA	70300-322	70300-413	70442-202	70400-695	70442-389	79004-611	79004-612	70342-900

Description	Cap Screw #18	Cap Screw #19	Shaft Seal #20	Relief Valve "C" #22	Relief Valve "D" #23	Housing Assembly #24	Backplate Assembly #25	Drive Shaft #27	Camplate #28	Adapter Assembly #29	Inner Gerotor #30	Outer Gerotor #31	Seal Repair Kit
Single Pump with Righthand Rotation (CW)													
Product Number													
70342-RAA	16032-640	16032-634	16253-18	32060-IA	32060-IA	70300-322	70300-413	70442-275	70400-695	70442-356	79004-611	79004-612	70342-900
70342-RAJ	16032-640	16032-634	16253-18	32060-IA	32060-IA	70300-322	70300-413	70442-202	70400-695	70442-356	79004-611	79004-612	70342-900
70342-RAK	16032-640	16032-634	16253-18	32060-IA	32060-IA	70300-322	70300-413	70442-209	70400-695	70442-356	79004-611	79004-612	70342-900
70342-RAO	16032-640	16032-634	16253-18	32060-IA	32060-IA	70300-322	70300-413	70442-209	70400-618	70442-356	79004-611	79004-612	70342-900
70342-RAR	16032-640	16032-634	16253-18	32060-IA	32060-IA	70300-322	70300-413	70440-200	70400-618	70442-356	79004-611	79004-612	70342-900
70342-RAS	16032-640	16032-634	16253-18	32060-IA	32060-IA	70300-328	70300-413	70442-202	70400-618	70442-356	79004-611	79004-612	70342-900
70342-RAT	16032-640	16032-634	16253-18	32060-IA	32060-IA	70300-328	70300-413	70442-275	70400-618	70442-356	79004-611	79004-612	70342-900
70342-RAU	16032-640	16032-634	16253-18	32060-IA	32060-IA	70300-328	70300-413	70442-209	70400-618	70442-356	79004-611	79004-612	70342-900
70342-RAX	16032-640	16032-634	16253-18	32060-WA	32060-WA	70300-328	70300-413	70442-209	70400-618	70442-356	79004-611	79004-612	70342-900
70342-RAY	16032-640	16032-634	16253-18	32060-WA	32060-WA	70300-322	70300-413	70442-202	70400-618	70442-374	79004-605	79004-606	70342-900
70342-RAZ	16032-640	16032-634	16253-18	32060-IA	32060-IA	70300-322	70300-413	70442-209	70400-695	70442-356	79004-611	79004-612	70342-900
70342-RBN	16032-640	16032-634	16253-18	32060-IA	32060-IA	70300-322	70300-413	70442-209	70400-618	70442-374	79004-605	79004-606	70342-900
70342-RBP	16032-640	16032-634	16253-18	32060-IA	32060-IA	70300-328	70300-413	70442-202	70400-618	70442-374	79004-605	79004-606	70342-900
70342-RBV	16032-640	16032-634	16253-18	32060-ZA	32060-ZA	70300-322	70300-413	70442-202	70400-695	70442-356	79004-611	79004-612	70342-900
70342-RBW	16032-640	16032-634	16253-18	32060-WA	32060-WA	70300-322	70300-413	70442-202	70400-695	70442-356	79004-611	79004-612	70342-900
70342-RCA	16032-640	16032-634	16253-18	32060-ZA	32060-ZA	70300-322	70300-426	70442-202	70400-618	70440-335	79004-611	79004-612	70342-900
70342-RCB	16032-640	16032-634	16253-18	32060-IA	32060-IA	70300-322	70300-413	70442-209	70400-695	70442-374	79004-605	79004-606	70342-900
70342-RCC	16032-640	16032-634	16253-18	32060-IA	32060-IA	70300-322	70300-413	70442-202	70400-695	70442-356	79004-611	79004-612	70342-900
70342-RCD	16032-640	16032-634	16253-18	32060-IA	32060-IA	70300-322	70300-413	70442-209	70400-695	70442-374	79004-605	79004-606	70342-900
70342-RCH	16032-640	16032-634	16253-18	32060-IA	32060-IA	70300-322	70300-413	70442-209	70400-695	70442-356	79004-611	79004-612	70342-900
70342-RCL	16032-640	16032-634	16253-18	32060-WA	32060-WA	70300-322	70300-413	70442-209	70400-618	70442-356	79004-611	79004-612	70342-900
70342-RCK	16032-640	16032-634	16253-18	32060-SA	32060-SA	70300-322	70300-426	70442-209	70400-695	70442-356	79004-611	79004-612	70342-900
70344-RBR	16032-622	16032-616	16253-18	32060-IA	32060-IA	70300-322	70300-426	70442-275	70400-695	70442-356	79004-611	79004-612	70342-900
70344-RCC	16032-622	16032-616	16253-18	32060-IA	32060-IA	70300-322	70300-409	70442-248	70400-695	---	---	---	70344-902

Product Number - Parts List for Tandem Front Pump

This list of product numbers is to aid in item identification. If your product number is not listed contact your Eaton representative.

Description	Cap Screw #18	Cap Screw #19	Shaft Seal #20	Relief Valve "C" #22	Relief Valve "D" #23	Housing Assembly #24	Backplate Assembly #25	Drive Shaft #27	Camplate #28	Seal Repair Kit
Tandem Front Pump with Lefthand Rotation (CCW)										
Product Number										
70344-LAM	16032-622	16032-620	16253-18	70111-518	70111-518	70300-316	70300-407	70442-228	70400-618	70344-900
70344-LAP	16032-622	16032-620	16253-18	32060-UA	32060-UA	70300-316	70300-407	70442-228	70400-618	70344-900
70344-LAR	16032-622	16032-620	16253-18	32060-WA	32060-WA	70300-316	70300-407	70442-228	70400-695	70344-900
70344-LAS	16032-622	16032-620	16253-18	32060-ZA	32060-ZA	70300-316	70300-407	70442-228	70400-695	70344-900
70344-LAT	16032-622	16032-620	16253-18	32060-UA	32060-UA	70300-316	70300-407	70440-228	70400-695	70344-900
70344-LAU	16032-622	16032-620	16253-18	32060-XA	32060-XA	70300-316	70300-407	70442-228	70400-695	70344-900
70344-LAV	16032-622	16032-620	16253-18	32060-ZA	32060-ZA	70300-316	70300-407	70442-228	70400-695	70344-900
70344-LBB	16032-622	16032-620	16253-18	32060-IA	32060-IA	70300-316	70300-411	70442-228	70400-618	70344-902
70344-LBC	16032-622	16032-620	16253-18	32060-IA	32060-IA	70300-316	70300-407	70442-228	70400-695	70344-900
70344-LBD	16032-622	16032-620	16253-18	32060-IA	32060-IA	70300-316	70300-407	70442-228	70400-695	70344-900
Tandem Front Pump with Righthand Rotation (CW)										
Product Number										
70344-RAE	16032-622	16032-622	16253-18	70111-518	32060-UA	70300-318	70300-401	70442-232	70400-618	70344-900
70344-RAG	16032-622	16032-622	16253-18	70111-518	32060-WA	70300-318	70300-401	70442-232	70400-618	70344-900
70344-RAL	16032-622	16032-620	16253-18	32060-UA	32060-UA	70300-316	70300-407	70442-228	70400-618	70344-900
70344-RAQ	16032-622	16032-622	16253-18	32060-WA	32060-WA	70300-326	70300-403	70442-228	70400-618	70344-901
70344-RBA	16032-622	16032-620	16253-18	32060-IA	32060-IA	70300-316	70300-407	70440-228	70400-618	70344-900
70344-RBG	16032-622	16032-620	16253-18	32060-IA	32060-IA	70300-316	70300-407	70442-232	70400-618	70344-900
70344-RBL	16032-622	16032-620	16253-18	32060-XA	70111-518	70300-316	70300-411	70442-228	70400-618	70344-902
70344-RBM	16032-622	16032-620	16253-18	32060-XA	32060-UA	70300-316	70300-407	70442-228	70400-618	70344-900
70344-RBN	16032-622	16032-620	16253-18	32060-UA	32060-UA	70300-316	70300-411	70442-228	70400-618	70344-902
70344-RBP	16032-622	16032-620	16253-18	32060-ZA	32060-ZA	70300-316	70300-411	70442-228	70400-618	70344-902
70344-RBQ	16032-622	16032-620	16253-18	32060-XA	32060-XA	70300-316	70300-411	70442-228	70400-695	70344-902
70344-RBZ	16032-622	16032-620	16253-18	32060-WA	32060-WA	70300-316	70300-407	70442-228	70400-695	70344-900
70344-RCA	16032-622	16032-620	16253-18	32060-ZA	32060-ZA	70300-316	70300-407	70442-228	70400-695	70344-900
70344-RCC	16032-622	16032-620	16253-18	32060-XA	32060-XA	70300-316	70300-407	70442-228	70400-695	70344-900
70344-RCD	16032-622	16032-620	16253-18	32060-ZA	32060-ZA	70300-316	70300-407	70442-228	70400-695	70344-900
70344-RCE	16032-622	16032-622	16253-18	32060-WA	32060-WA	70300-326	70300-403	70442-228	70400-618	70344-901
70344-RCG	16032-622	16032-620	16253-18	32060-IA	32060-IA	70300-316	70300-411	70442-228	70400-695	70344-902
70344-RCK	16032-622	16032-620	16253-18	32060-IA	32060-IA	70300-316	70300-410	70442-228	70400-618	70344-901
70344-RCM	16032-622	16032-620	16253-18	32060-IA	32060-IA	70300-316	70300-411	70442-228	70400-618	70344-902
70344-RCN	16032-622	16032-620	16253-18	32060-IA	32060-IA	70300-316	70300-407	70442-228	70400-695	70344-900
70344-RCP	16032-622	16032-620	16253-18	32060-IA	32060-IA	70300-316	70300-407	70442-228	70400-695	70344-900
70344-RCS	16032-622	16032-620	16253-18	32060-ZA	32060-ZA	70300-316	70300-411	70442-228	70400-695	70344-902

Product Number - Parts List for Tandem Rear Pump

This list of product numbers is to aid in item identification. If your product number is not listed contact your Eaton representative.

Description	Cap Screw	Cap Screw	Spacer	Relief Valve "C"	Relief Valve "D"	Housing Assembly	Backplate Assembly	Drive Shaft	Camplate	Adapter Assembly	Inner Gerotor	Outer Gerotor	Seal Repair Kit
Item	#18	#19	#20	#22	#23	#24	#25	#27	#28	#29	#30	#31	
Tandem Rear Pump with Lefthand Rotation (CCW)													
Product Number													
70342-LAH	16032-640	16032-634	70400-620	32060-IA	32060-IA	70300-315	70300-413	70442-299	70400-695	70442-368	79004-605	79004-606	70342-901
70342-LAQ	16032-640	16032-634	70400-620	32060-IA	32060-IA	70300-315	70300-413	70442-299	70400-618	70442-368	79004-605	79004-606	70342-901
70342-LBG	16032-640	16032-634	70400-620	32060-WA	32060-WA	70300-315	70300-413	70442-299	70400-695	70442-368	79004-605	79004-606	70342-901
Tandem Rear Pump with Righthand Rotation (CW)													
Product Number													
70342-RAN	16032-640	16032-634	70400-620	32060-IA	32060-IA	70300-315	70300-413	70442-299	70400-695	70442-374	79004-605	79004-606	70342-901
70342-RAW	16032-640	16032-634	70400-620	32060-IA	32060-IA	70300-315	70300-413	70442-299	70400-695	70442-374	79004-605	79004-606	70342-901
70342-RBD	16032-640	16032-634	70400-620	32060-ZA	32060-ZA	70300-315	70300-426	70442-299	70400-618	70442-374	79004-605	79004-606	70342-902
70342-RBF	16032-640	16032-634	70400-620	70111-518	32060-XA	70300-315	70300-426	70442-299	70400-618	70442-374	79004-605	79004-606	70342-902
70342-RBJ	16032-640	16032-634	70400-620	32060-UA	32060-UA	70300-315	70300-426	70440-299	70400-618	70442-374	79004-605	79004-606	70342-902
70342-RBL	16032-640	16032-634	70400-620	32060-XA	32060-XA	70300-315	70300-426	70442-299	70400-695	70442-374	79004-605	79004-606	70342-902
70342-RBO	16032-640	16032-634	70400-620	32060-IA	32060-IA	70300-315	70300-426	70442-299	70400-695	70442-374	79004-605	79004-606	70342-902
70342-RBS	16032-640	16032-634	70400-620	32060-UA	32060-UA	70300-315	70300-413	70442-299	70400-695	70442-374	79004-605	79004-606	70342-901
70342-RBT	16032-640	16032-634	70400-620	32060-XA	32060-XA	70300-315	70300-413	70442-299	70400-695	70442-374	79004-605	79004-606	70342-901
70342-RBU	16032-640	16032-634	70400-620	32060-ZA	32060-ZA	70300-315	70300-413	70442-299	70400-695	70442-374	79004-605	79004-606	70342-901
70342-RCE	16032-640	16032-634	70400-620	32060-ZA	32060-ZA	70300-315	70300-426	70442-299	70400-695	70442-374	79004-605	79004-606	70342-902
70344-RAF	16032-622	16032-622	70400-620	70111-518	32060-UA	70300-320	70300-403	70442-229	70400-618	---	---	---	70344-900
70344-RAH	16032-622	16032-622	70400-620	70111-518	32060-WA	70300-320	70300-403	70442-229	70400-618	---	---	---	70344-900
70344-RAM	16032-622	16032-616	70400-620	32060-UA	32060-UA	70300-324	70300-409	70442-229	70400-618	---	---	---	70344-900
70344-RAR	16032-622	16032-622	70400-620	70111-518	32060-WA	70300-320	70300-403	70442-229	70400-618	---	---	---	70344-900
70344-RBB	16032-622	16032-616	70400-620	32060-IA	32060-IA	70300-324	70300-409	70442-229	70400-618	---	---	---	70344-900
70344-RBU	16032-622	16032-616	70400-620	32060-XA	32060-XA	70300-324	70300-409	70442-229	70400-618	---	---	---	70344-900
70344-RCF	16032-622	16032-622	70400-620	70111-518	32060-WA	70300-320	70300-437	70442-229	70400-618	---	---	---	70344-900

Each order must include the following information.

1. Product and/or Part Number
2. Serial Number Code
3. Part Name
4. Quantity

Identification Numbers - Manually Variable Displacement Piston Pump

Stamped on each units mounting flange.

- A - Product Number Description
 - 70342 = Single Piston Pump with Gerotor
 - 70344 = Single Piston Pump without Gerotor
 - 78341 = Tandem Piston Pumps with Gerotor
 - 78343 = Tandem Piston Pumps without Gerotor
- B - Sequential Numbering

Single Pump - Product Number:

7 0 3 4 2 - R A A

A
B

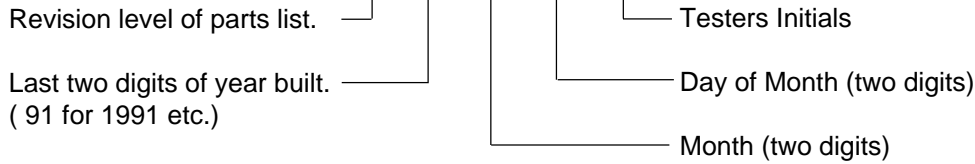
Tandem Pumps - Product Number:

7 8 3 4 1 - R A B

A
B

Serial Number Code:

B 91 01 31 JB



Eaton Corporation
Hydraulics Division
 15151 Hwy. 5
 Eden Prairie, MN 55344
 Telephone 612/937-9800
 Fax 612/937-7130

Eaton Ltd.
Hydraulics Division
 Glenrothes, Fife
 Scotland, KY7 4NW
 Telephone 01-592-771-771
 Fax 01-592-773-184

Eaton GmbH
Hydraulics Products
 Am Schimmersfeld 7
 40880 Ratingen, Germany
 Telephone 02102-406-830
 Fax 02102-406-800



Quality System Certified
 Products in this catalog are manufactured
 in an ISO-9001-certified site.